



KIT TERMINALE RACING TROPHY



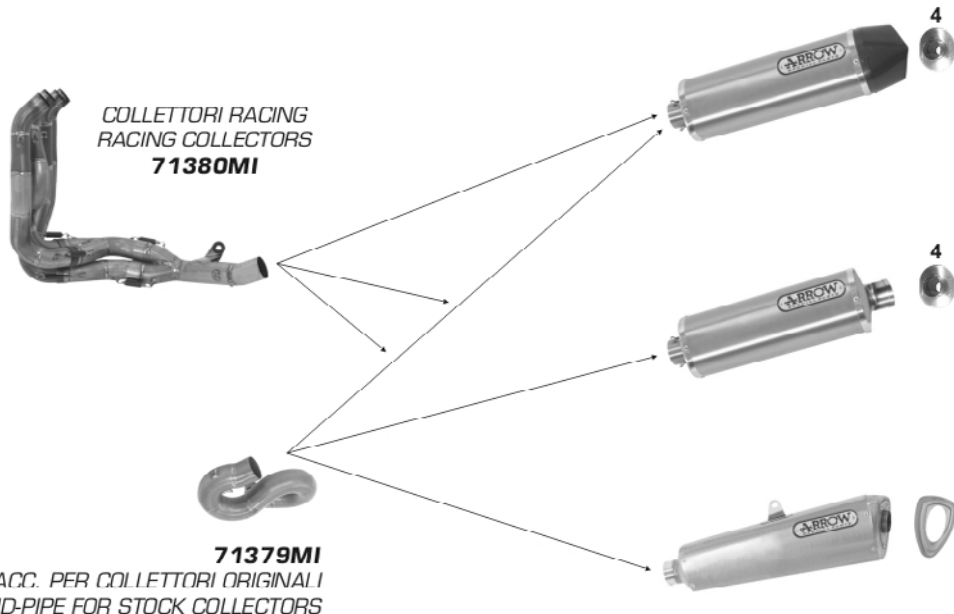
RACING TROPHY SILENCER KIT



KIT COMPLETO INDY RACE



INDY RACE FULL SYSTEM



INDY-RACE CARBY CAP

	HOMOL.	RACING
TITANIUM	71727PK	71127PK
CARBY	71727MK	71127MK

INDY-RACE INOX CAP

	HOMOL.	RACING
TITANIUM	71727PO	71127PO
CARBY	71727MO	71127MO
ALUMINIUM	71727AO	71127AO

RACING TROPHY

	HOMOL.	RACING
TITANIUM		71147PR

RILEVAMENTO PESI

WEIGHT COMPARISON

KIT ORIGINALE		STOCK EXHAUST	
Collettori		collectors	Kg. 2,800
Terminale		Silencer	Kg. 6,000
KIT ARROW		ARROW KIT	
Collettori		Collectors	Kg. 2,950
Raccordo per collettori originali		Mid-pipe for stock collectors	Kg. 0,750
Terminale Racing Trophy		Racing Trophy silencer	Kg. 1,550
Terminale Indy Race titanio		Indy Race titanium silencer	Kg. 1,700
Terminali Indy Race alluminio		Indy Race aluminium silencer	Kg. 2,000

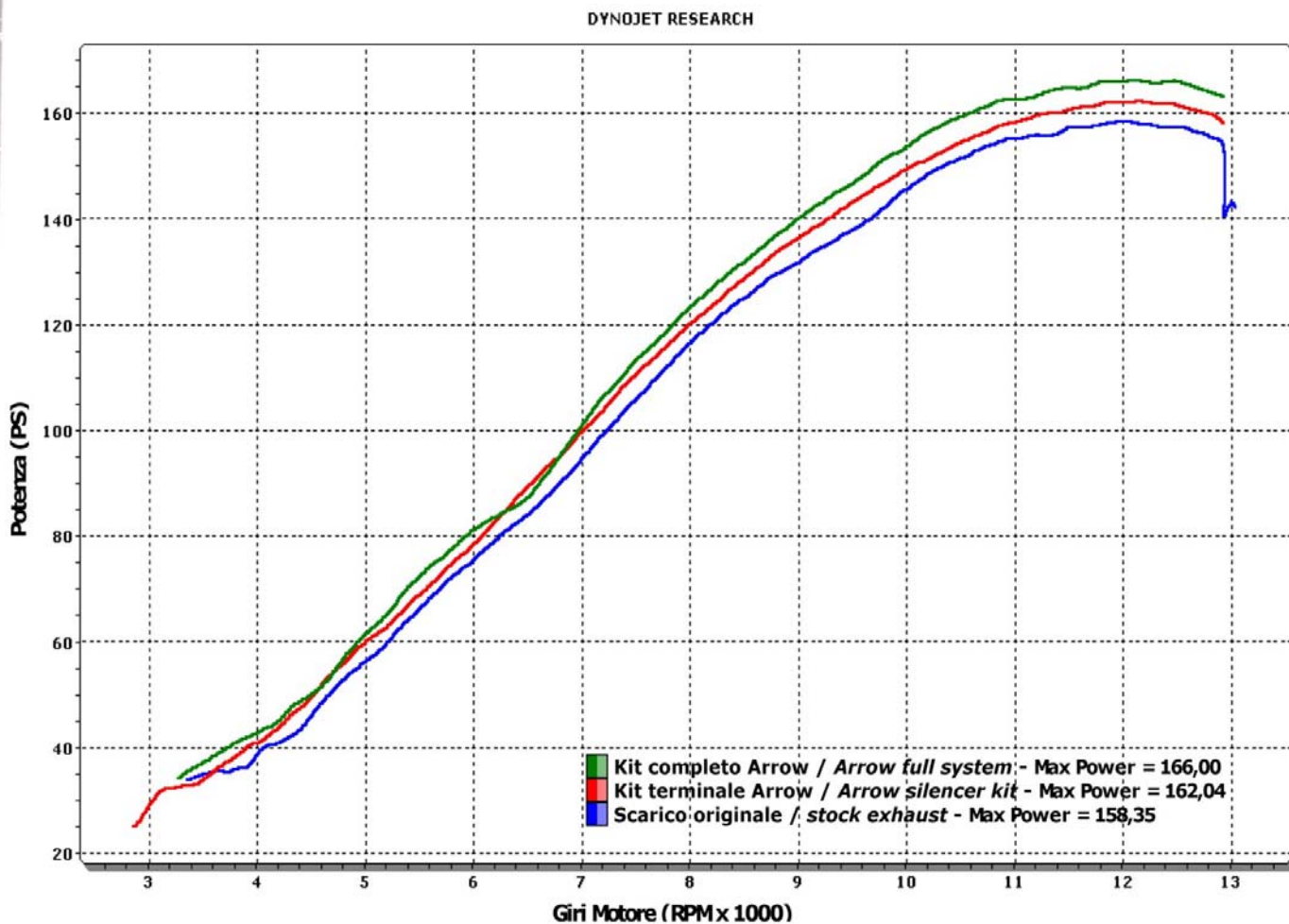
RILEVAMENTI FONOMETRICI

SOUND LEVEL READINGS

Effettuati a	Conducted at	Giri/m.-Rpm	6000
Rumore di fondo	Background noise	dB (a)	47
Scarico originale	Stock exhaust	dB (a)	96
Kit terminali Arrow	Arrow silencer kit	dB (a)	100
Kit completo Arrow	Arrow full system	dB (a)	101

GRAFICO DI POTENZA

POWER GRAPH



Condizioni durante la prova

Dyno test condition

Temperatura	Temperature	14 °C
Pressione	Pressure	986 mBar
Umidità	Umidity	44 %